

pureMEMS

Pioneering Wireless Monitoring



PureMEMS is an easy to install long range wireless vibration sensor made to predict machinery issues long before damage and failure occurs.

Safeguard your machines in a revolutionary beneficial way with this vibration sensor that combines long range wireless radio technology with high quality vibration data and surface machine temperature.

Furthermore, additional services as Ai-based software solutions, online-data access with automated email-reports and safe cloud storage with open API can be added for maximum uptime.



Features – go from reactive to proactive

- Up to 2 km distance wireless monitoring using LoRa X2 Radio
- Smart Ai-screening from day one, with Multiviz.
- 5 sec RAW time signal recordings.
- 25,6 kHz sampling rate, linear to 6 kHz
- 3 years battery lifetime replaceable by user
- 3-Axial vibration and machine surface temperature
- Synchronized measurements on same machine, time wave form and RPM. (Using PurePULSE)

PUMPS | FANS | ELECTRICAL MOTORS | GEARBOXES | CONVEYERS

pureSignal – a complete system solution for your machine monitoring

pureSignal offers a complete range of products for easy monitoring of your machines, Including gateways, Cloud-Services and Apps as well as and wireless RPM-sensor. Stay tuned – more sensors will be added to the pureFAMILY.

Read more and get started at www.puresignal.se



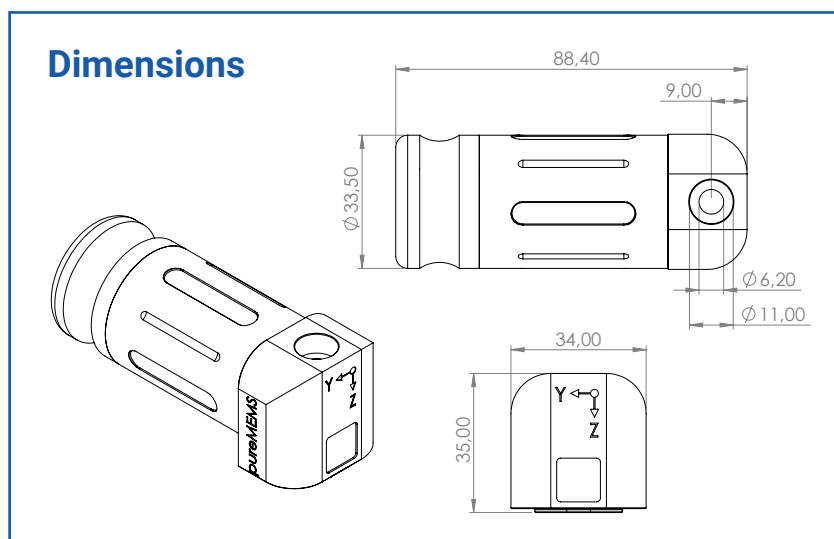
Technical specifications for pureMEMS

| | |
|---------------------------|--|
| Measurement: | 3 axial vibration and machine surface temperature |
| Sampling rate: | 25.6 kHz |
| RAW Time signals: | 1 Hz - 6 kHz up to 5 seconds |
| Battery: | Replaceable by user 1 (3.6V, 2100 mAh) |
| Battery lifetime: | 3 years* replaceable batteries (SAFT LS 17330) |
| Environmental: | IP69K Temperature range -40 °C to +85 °C |
| Led indicator: | Multicolor led for battery and status indication |
| Magnetic trigger: | Battery status, trigger single or synchronous measurements |
| Firmware updates: | OTA – over the air |
| Synchronous: | Data sampling for all sensors on one machine simultaneous within same second. Velocity RMS, Acceleration (Peak & RMS), Raw time signal |
| Configuration: | Secure via app |
| Data security: | AES 128 Encryption |
| Mounting Method: | Adhesive mounting pad or stud |
| Radiotransmission: | X2 LoRa – 868 Mhz |

* With standard settings, 1 measurement every third hour, 1 time signal measurement every day.

Temperature Measurement

| | |
|---------------------------|-------------------|
| Measurement Range: | -20 °C to +120 °C |
| Accuracy: | +1 °C |



Download app

Download on the App Store

GET IT ON Google Play

Download from Windows Store

